

Ceramic Saddles

Chemical analysis

SiO ₂	68-73%
Al ₂ O ₃	17-23%
Fe ₂ O ₃	<1.2%
CaO	<0.5%
MgO	<0.5%
K ₂ O+Na ₂ O	2-4%

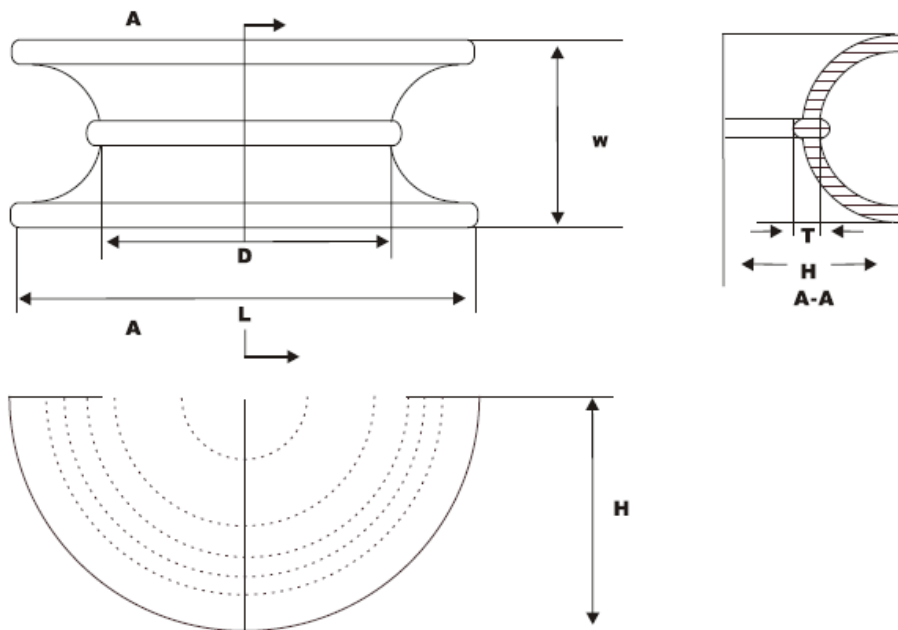


Physical properties

Nominal size(inch)	1/2''	3/4''	1''	1.5''	2''	3''
Package density (kg/m ³)	720	680	650	580	580	550
Free volume (%)	70	72	73	76	76	77
Surface area (m ² /m ³)	625	335	260	190	120	92
Specific gravity (g/cm ³)	~2.3 – 2.4					
Water absorption(%)	<0.3					
Acid resistance (%)	>99.6					
Max operating temp.	1100°C					
Porosity (%)	<1					
Moh's hardness (scale)	>6.5					
Thermal conductivity(w/m.k)	0.9-1.0					
Specific heat (j/kg°C)	850-900					

Ceramic Saddles

The drawing



Dimensions

Nominal Size	Alias DN	Diameter of Deck D	Outside Diameter L	Height H	Wall thickness T	Width W
1/2''	12	12±1.0	20±1.4	10±1.0	2.0±0.45	10±1.0
3/4''	19	19±1.5	28±2.0	14±1.0	2.5±0.5	15±1.0
1''	25	25±2.0	38±2.0	20±1.0	3.0±0.5	21±1.0
1.5''	38	38±2.0	60±3.0	29±1.5	4.0±1.0	32±1.5
2''	50	50±2.5	80±4.0	39±2.0	5.0±1.0	42±2.0
3''	76	80±4.0	118±4.0	60±3.0	9.0±1.0	62±3.0